

Commonplace Robotics GmbH

Gewerbepark 9-11
Bissendorf

Phone: +495402 9689290
Fax : +495402 9689299
Email : support@cpr-robots.com
Internet : cpr-robots.com



Customer: igus GmbH
Spicher Str. 1a
Köln
+49 2203 9649 8255

www.igus.de



Project description: igus Robot Control
Customer order number:
Drawing number: 1.8
Order no.:
Project name: iRC-igusRobotControlBLDC48V
Plant type: Robot control
Location:
Responsible for the project: Alexander Mühlens
Parts feature:

The transfer and the reproduction of this document, the use and the communication of its content are not permitted unless expressly authorized!

Contraventions shall require compensation.

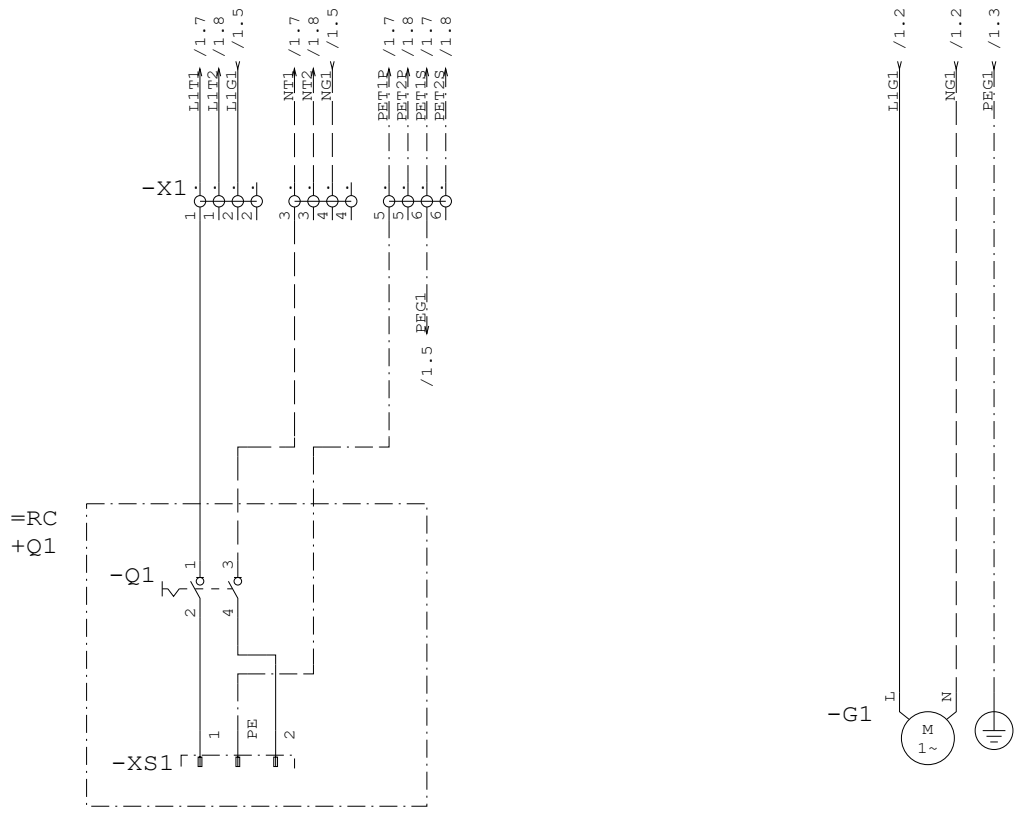
All rights reserved in the case of patent distribution or GM registration.

Created on: 16.11.23 Drawn by: J. Reitzer
Edited on:

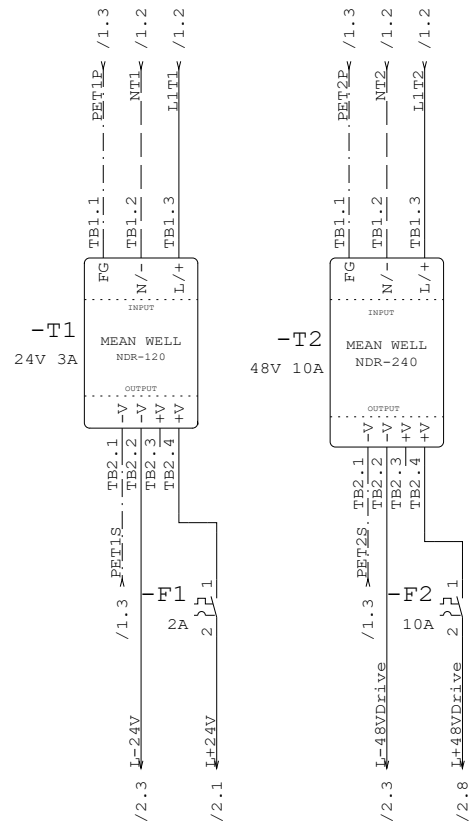
Drawn by: 9

A
B
C
D
E
F

1 2 3 4 5 6 7 8 9



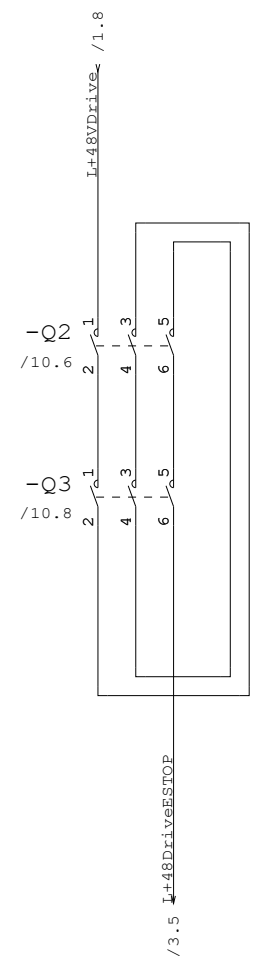
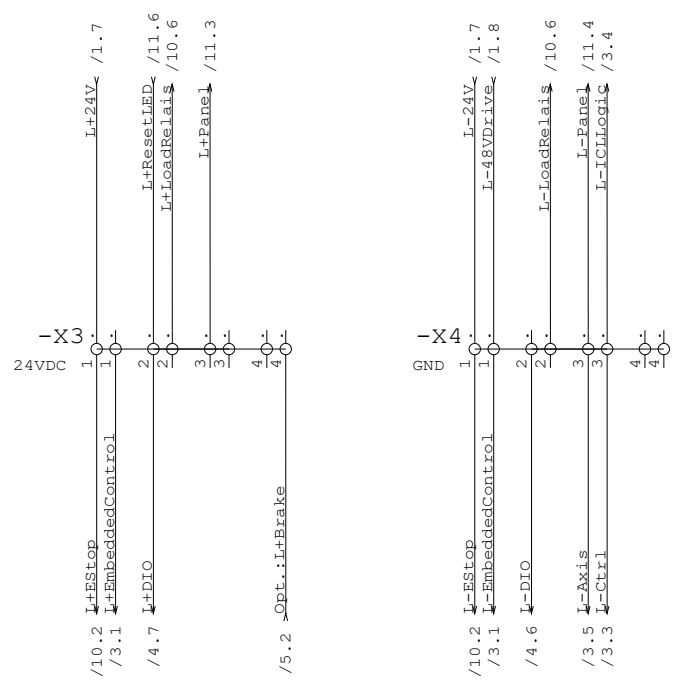
Cabinet Ventilator



Date	16.11.23	igus GmbH	Mains	Project number	Unit	=RC			
work	J. Reitzer	Spicher Str. 1a			Field	+A1			
check		Köln			Drawing number	1.8	sheet	1	
Status	rev.	Date	name	norm	DIN 81346	created for	Created by	of	11

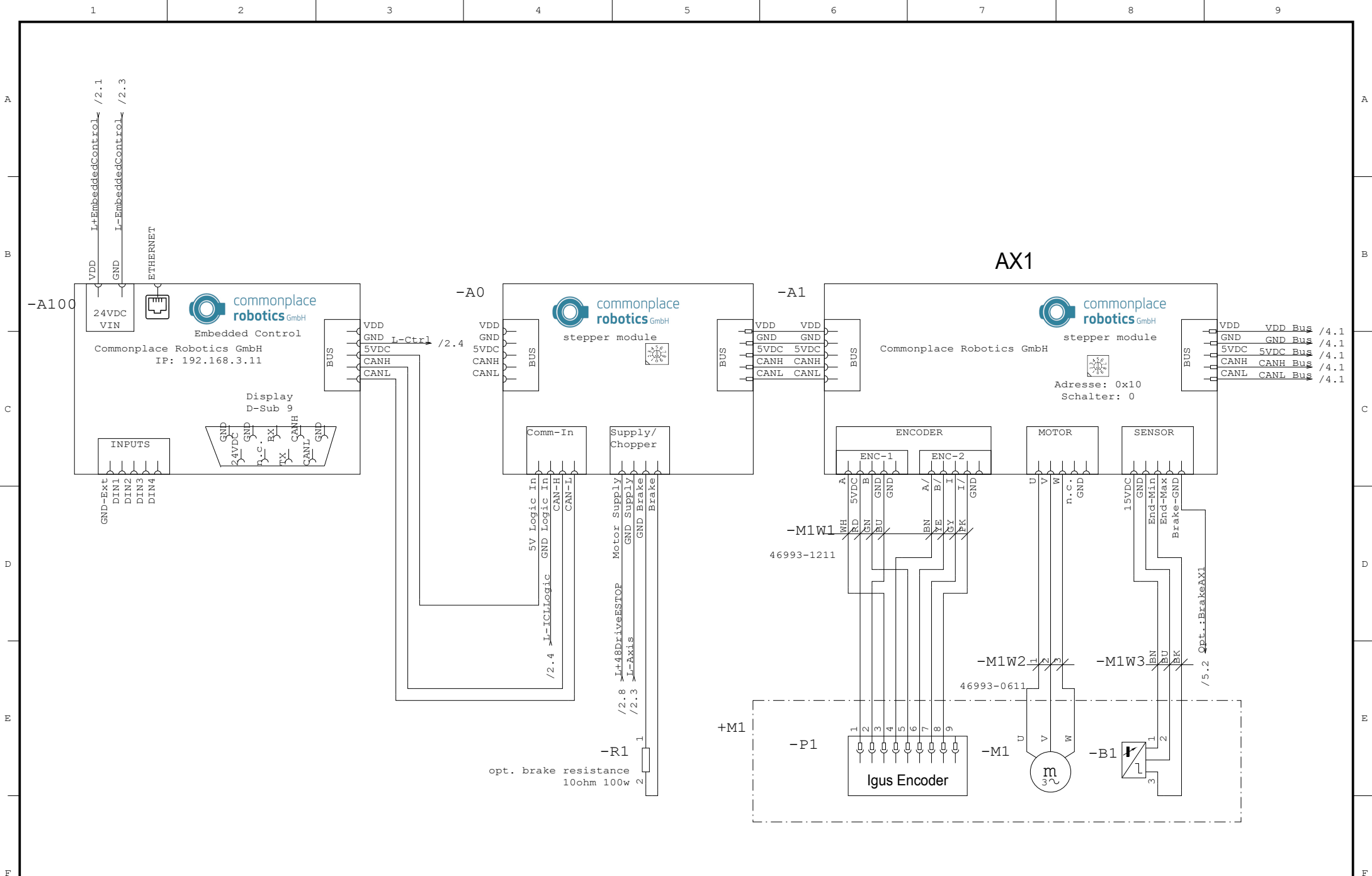
1 2 3 4 5 6 7 8 9

P
B
C
D
E
F



Safety for
48VDC drives

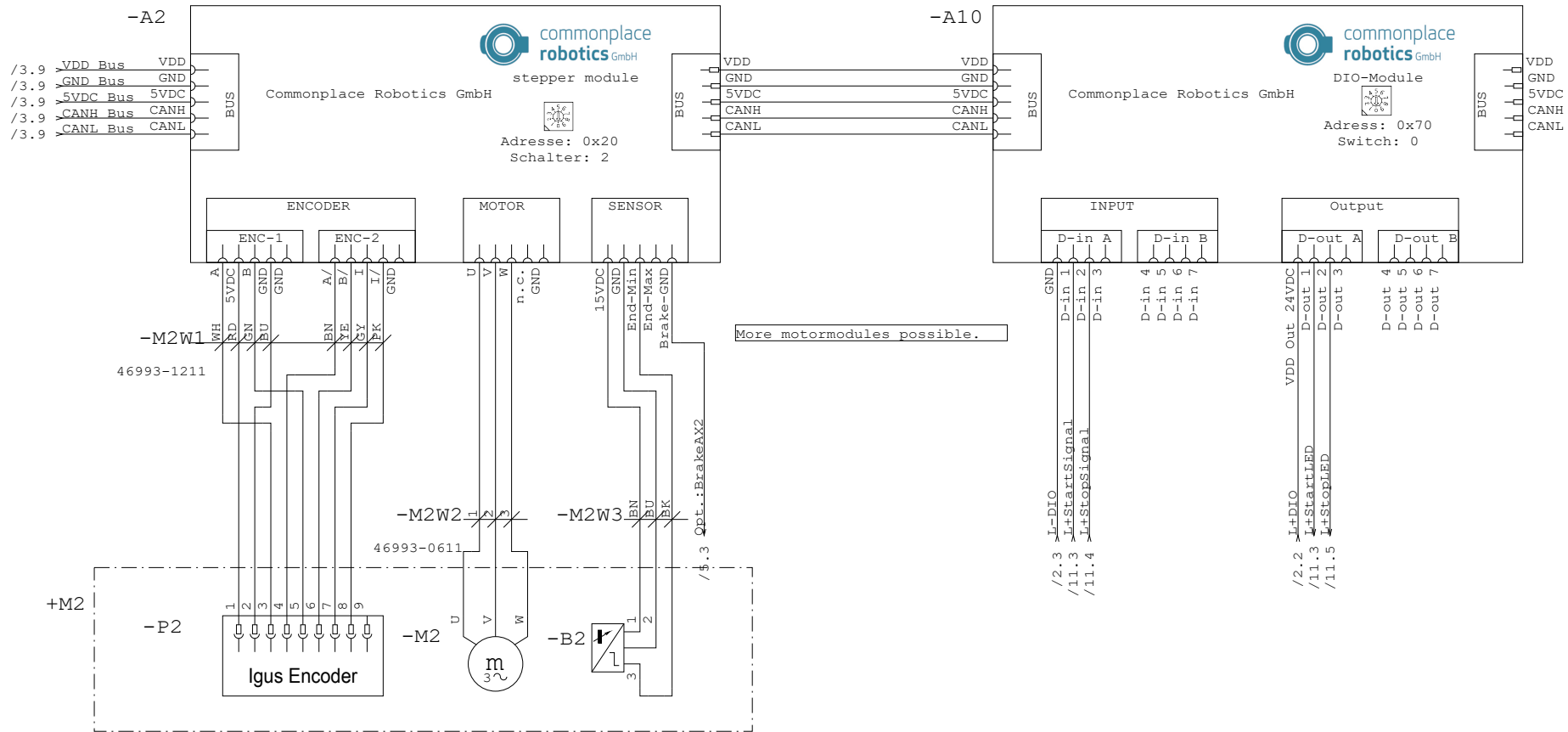
Date	16.11.23	igus GmbH			VDC Distribution	Project number		Unit	=RC
work	J. Reitzer	Spicher Str. 1a				Field	+A1		
check		Köln				Drawing number	1.8	sheet	2
Status	rev.	Date	name	norm	DIN 81346	created for	Created by	of	11



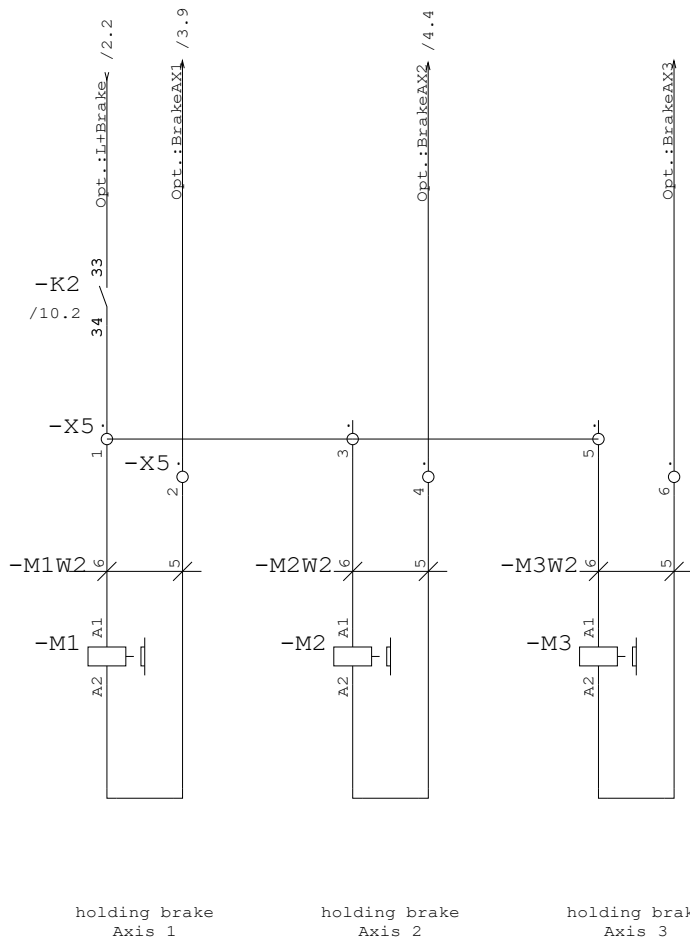
AX1

Date	16.11.23	igus GmbH			Embedded Control and motormodule	Project number		Unit	=RC
work	J. Reitzer	Spicher Str. 1a				Field	+A1		
check		Köln				Drawing number	1.8	sheet	3
Status	rev.	Date	name	norm	DIN 81346	created for	Created by	of	11

AX2

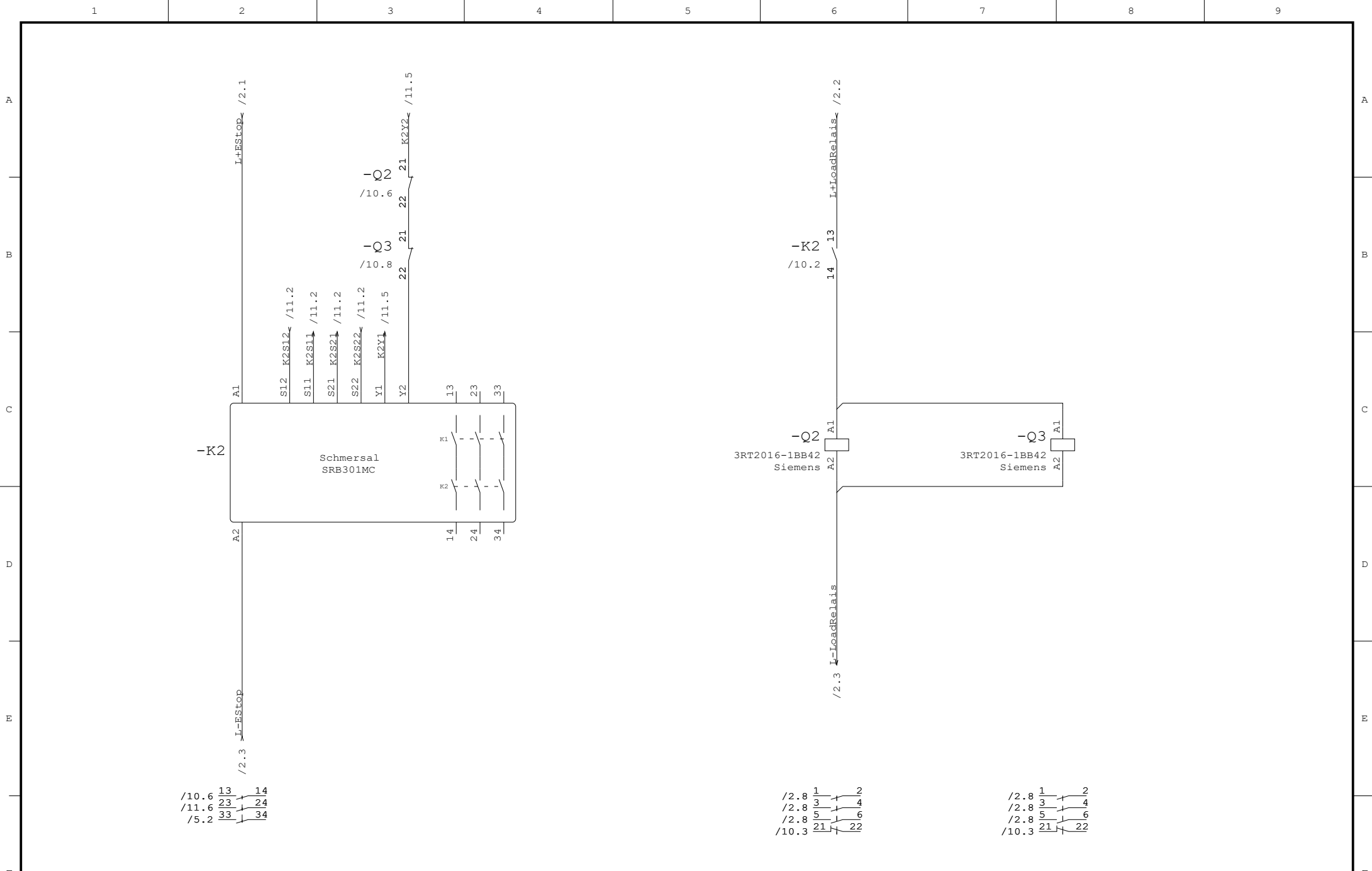


Date	16.11.23	igus GmbH	Motor- and DIO-Module		Project number	Unit	=RC
work	J. Reitzer	Spicher Str. 1a	commonplace robotics GmbH			Field	+A1
check		Köln	Created by			Drawing number	sheet 4
Status	rev.	Date	name	norm	DIN 81346	1.8	of 11

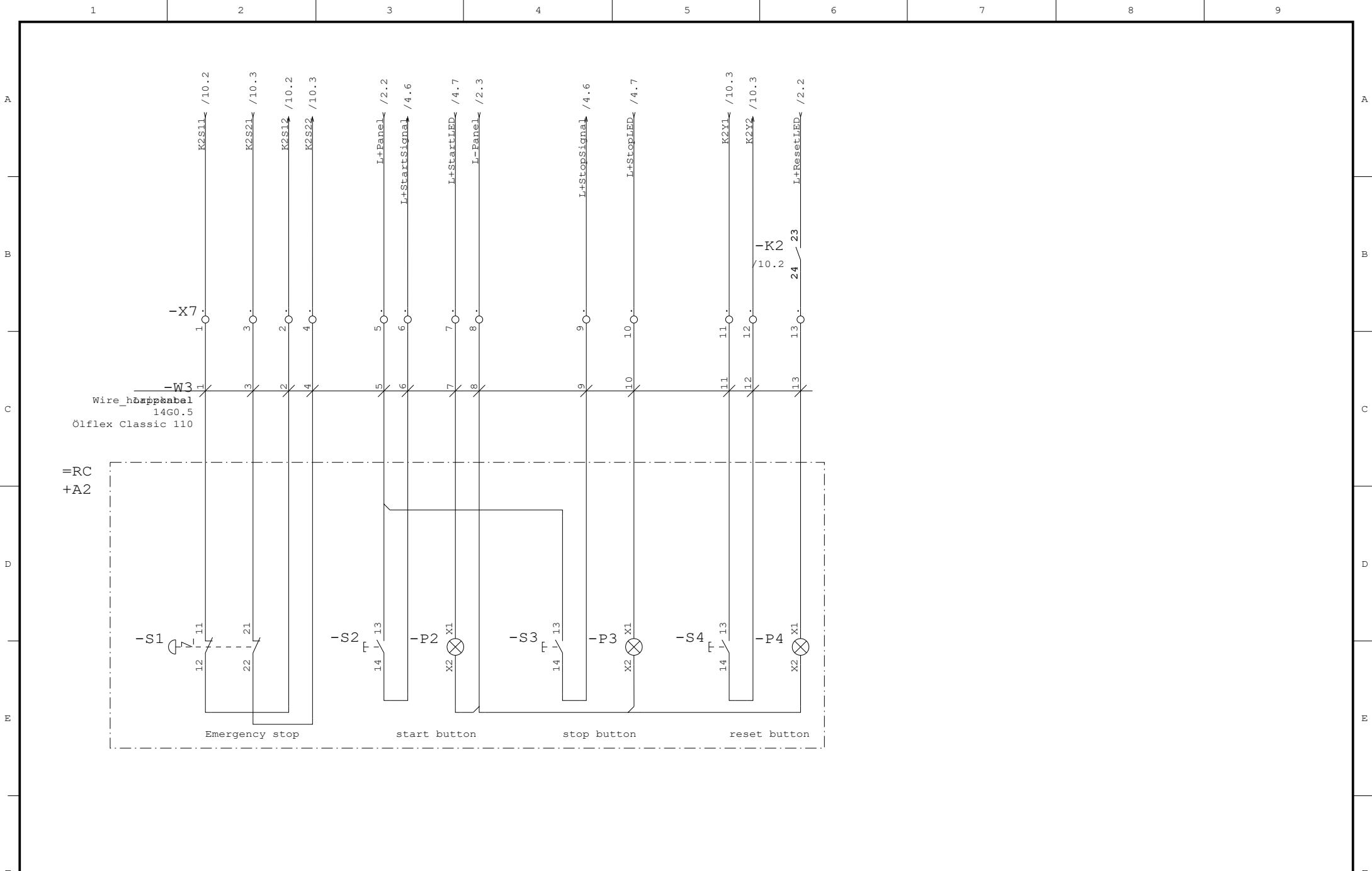


optional connections for brakes.
 Brake VCC is disconnected via emergency stop.
 only used connections are populated in the cabinet.

Date	16.11.23	igus GmbH		Brake connections	Project number		Unit	=RC		
work	J. Reitzer	Spicher Str. 1a			Field	+A1				
check		Köln			Drawing number		sheet	5		
Status	rev.	Date	name	norm	DIN 81346	created for	Created by	1.8	of	11



		Date	16.11.23	igus GmbH		EStop		Project number	Unit	=RC
		work	J. Reitzer	Spicher Str. 1a		commonplace robotics GmbH			Field	+A1
		check		Köln					Drawing number	sheet 10
Status	rev.	Date	name	norm	DIN 81346	created for	Created by		1.8	of 11
1			2		3		4		8	9



Wire_hb
14G0.5
Ölflex Classic 110

=RC
+A2

Emergency stop

start button

stop button

reset button

Date	16.11.23	igus GmbH		ControlPanel	Project number	Unit	=RC
work	J. Reitzer	Spicher Str. 1a				Field	+A1
check		Köln		Created by	Drawing number	sheet 11	
Status	rev.	Date	name			norm	1.8
			DIN 81346	created for			

